



**Description:**

Direct light ceiling lamp, equipped with LED modules with four COB (chips on board). Aluminum. Available in white or black finishes, both matte. Other finishes and dimmer version on request.

**Materials:**

Aluminum.

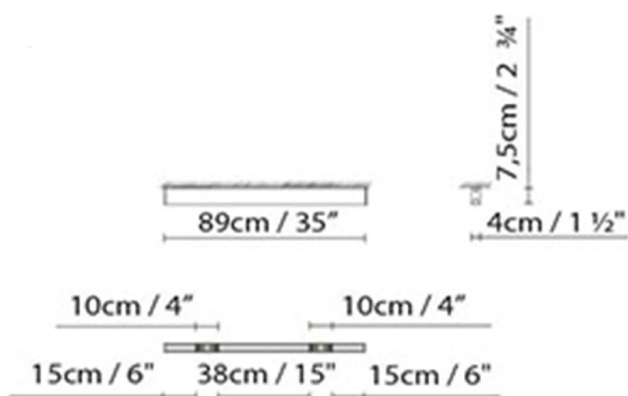
**Certifications:**



IP20

120V

ANVIL C90 LED MODULE



**Light source:**

**LED** LED 2 x (2 x 4,5W) 2184lm 250mA  
3000K CRI80 120V

**Weight :**

Net kg:

Gross kg: 3.6

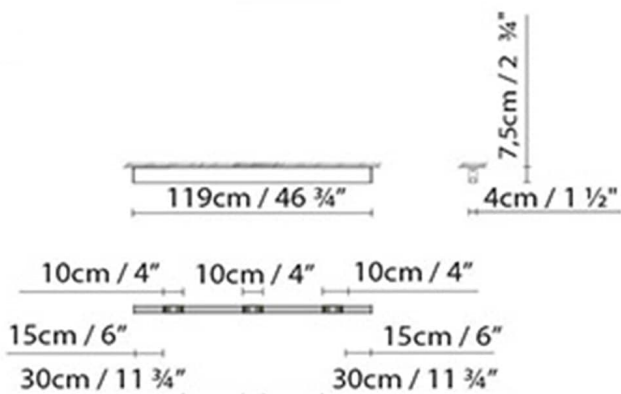
**Packaging:**

N. packages: 1

Volumen m3:

Dimensions cm:

## ANVIL C120 LED MODULE



### Light source:

**LED** LED 3 x (2 x 4,5W) 3276lm 250mA  
3000K CRI80 120V

### Weight :

Net kg:

Gross kg: 4.0

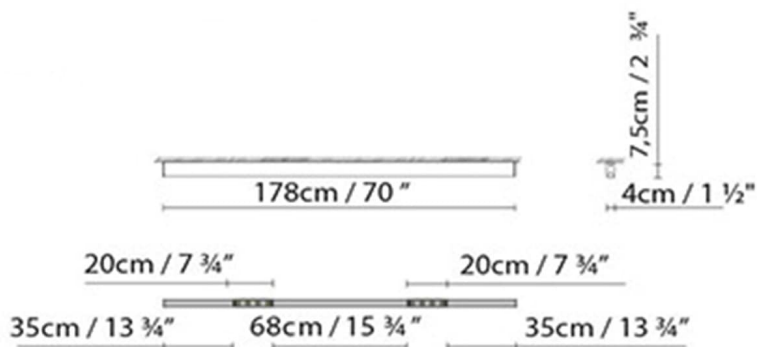
### Packaging:

N. packages: 1

Volumen m3:

Dimensions cm:

## ANVIL C180 LED MODULE



### Light source:

**LED** LED 2 x (4 x 4,5W) 4368lm 250mA  
3000K CRI80 120V

### Weight :

Net kg:

Gross kg: 4.8

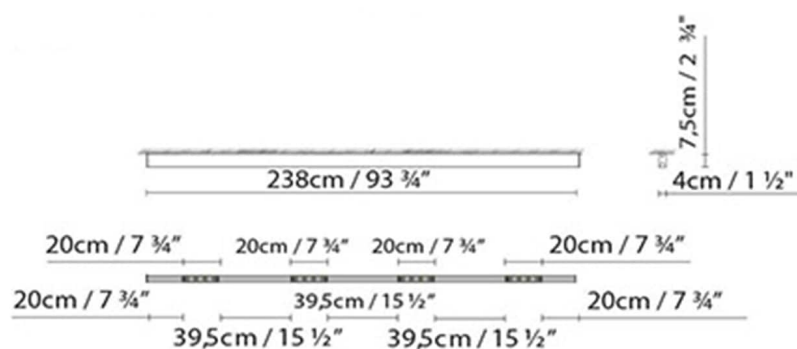
### Packaging:

N. packages: 1

Volumen m3:

Dimensions cm:

## ANVIL C240 LED MODULE

**Light source:**

**LED** LED 4 x (4 x 4,5W) 8736lm 250mA  
3000K CRI80 120V

**Weight :**

Net kg:

Gross kg: 7.2

**Packaging:**

N. packages: 1

Volumen m3:

Dimensions cm: 16x10x260

## Collection



Designer  
Technical drawing